

TBG02304B  
(2-Way with Off)

Univalve Box  
TBN01001B



Mini Unit

TBG02304B  
TBN01001B

### FEATURES

- Elegant appearance.
- Beautiful curves reveal elegant taste.
- Easy installation and usage.

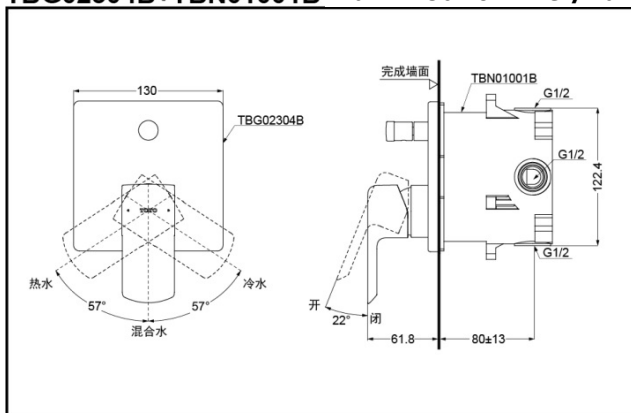
### SPECIFICS

Water Inlet Requirement :  
0.05MPa(Dynamic  
Pressure)~1.0MPa(Static  
Pressure)

### Others

Series : GR  
Recommend fittings :  
G series Shower

### TBG02304B+TBN01001B Wall-Mount Mixer/Valve +Box



\*TOTO(CHINA) CO.,LTD. All rights reserved.